

# TONONE

ANTON DE GROOF

## **ABOUT TONONE**

Tonone stands for no-nonsense products with a modern industrial look and a mechanical character.

Design label Tonone was founded by Anton de Groof in 2013 and is located in 's-Hertogenbosch in the Netherlands. Here is where the Tonone team designs and produces the products together with a number of local craftsmen.

Tonone strives to make quality products and therefore every step in the process of designing and making is done with the utmost care and eye for every detail.

## **CONTACT US**

TONONE

Veemarktkade 8 - 6117

5222 AE Den Bosch

The Netherlands

+31(0)85 782 13 33

[www.tonone.com](http://www.tonone.com)

**TONONE**  
ANTON DE GROOF



BOLT | ANTON DE GROOF

# TONONE

# BOLT

## RELAX, IT'S JUST A LAMP

STARTING POINT FOR THE PRODUCTS OF TONONE IS THE PASSION FOR TRADITIONAL MECHANICS. THE FIRST PRODUCT LINE THAT RESULTED FROM THIS FASCINATION IS LAMP SERIES 'BOLT'. KEY ELEMENT IN THIS INDUSTRIAL SERIES IS A CLEVER JOINT CONSTRUCTION THAT CAN BE ADJUSTED WITH A WINGNUT-SHAPED TOOL. BESIDES BEING A FUNCTIONAL TOOL, THIS WINGNUT IS INTEGRATED IN THE DESIGN OF THE LAMP ITSELF AS A DISTINCTIVE VISUAL ELEMENT.



AVAILABLE IN 7 COLORS



SMOKEY BLACK



ASH GREY



FLUX GREEN



STRIKING ORANGE



PURE WHITE



THUNDER BLUE



LIGHTNING WHITE

## CHOOSE YOUR WINGNUT



BLACK ALUMINIUM



COPPER



SOLID BRASS

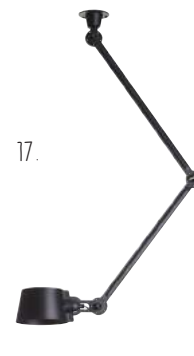


STAINLESS STEEL



...AND ADJUST YOUR LAMP

BOLT IS AVAILABLE IN 22 DIFFERENT MODELS:





# DESK - DOUBLE ARM

AVAILABLE IN 2 MODELS



BOLT DESK LAMP - DOUBLE ARM - WITH FOOT



BOLT DESK LAMP - DOUBLE ARM - WITH CLAMP

# DESK - DOUBLE ARM

## INFORMATION

### GENERAL INFORMATION

|                     |   |
|---------------------|---|
| <b>DESIGN BY</b>    | Anton de Groof, 2013  |
| <b>MATERIALS</b>    | Steel & aluminium   |
| <b>PRODUCT</b>      | 1. Bolt desk lamp - double arm - with foot<br>2. Bolt desk lamp - double arm - with clamp                         |
| <b>DESCRIPTION</b>  | Desk lamp in coated steel, shade in coated aluminium. Lamp head and lamp arm are adjustable with special wingnut. |
| <b>TOTAL WEIGHT</b> | 8,42 kg - with foot<br>2,27 kg - with clamp   |

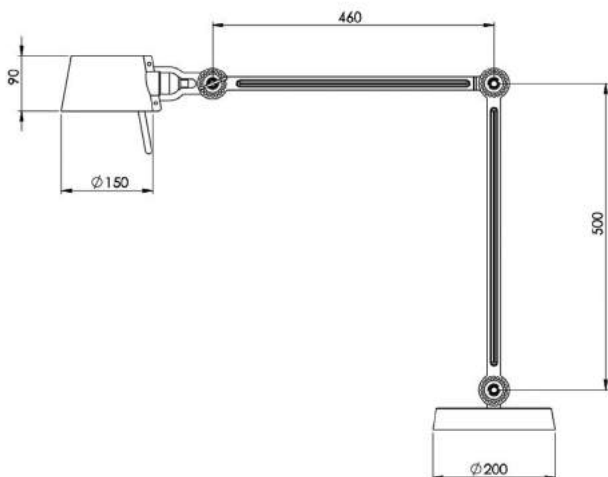
### TECH. SPECIFICATIONS

|                   |              |
|-------------------|--------------|
| <b>INPUT</b>      | 200-240 V    |
| <b>MAX. WATT</b>  | Max. 60 Watt |
| <b>LIGHT BULB</b> | E27          |

### POSITIONS

The lamp can be adjusted at all its joints. This gives endless possibilities to the position of the lamp.

### DIMENSIONS



### IN THE PACKAGE

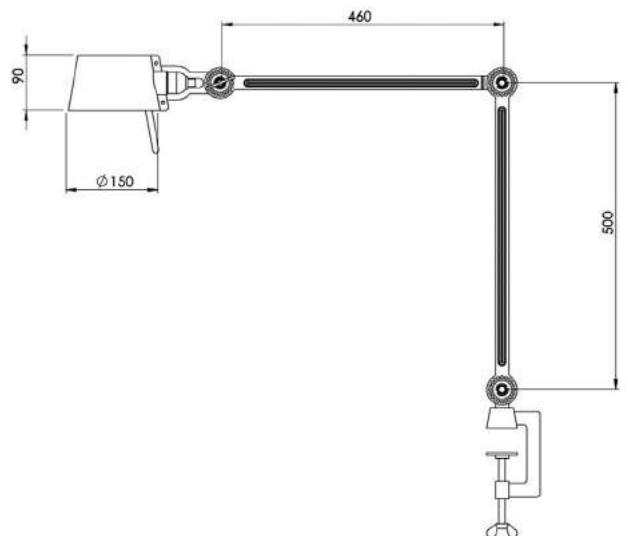
- 01** A special wingnut shaped tool to adjust the lamp
- 02** Depending on the model, this lamp comes with a clamp or a foot

### GOOD TO KNOW

- |                    |   |
|--------------------|---|
| <b>ENVIRONMENT</b> | Special waste handling may be required please contact your local authorities for more information |
| <b>CLEANING</b>    | Wipe clean with a dry cloth   |
| <b>SAFETY</b>      | Minimum safe distance to illuminated object: 30 cm  |

### COLORS

The Bolt desk lamp is available in 7 colors.



# DESK - SINGLE ARM

AVAILABLE IN 2 MODELS



BOLT DESK LAMP - SINGLE ARM - WITH CLAMP



BOLT DESK LAMP - SINGLE ARM - WITH FOOT

# DESK - SINGLE ARM

## INFORMATION

### GENERAL INFORMATION

|                     |   |
|---------------------|---|
| <b>DESIGN BY</b>    | Anton de Groof, 2013  |
| <b>MATERIALS</b>    | Steel & aluminium   |
| <b>PRODUCT</b>      | 3. Bolt desk lamp - single arm - with foot<br>4. Bolt desk lamp - single arm - with clamp                     |
| <b>DESCRIPTION</b>  | Desk lamp in coated steel, shade in coated aluminium. Lamp head and lamp arm adjustable with special wingnut. |
| <b>TOTAL WEIGHT</b> | 8,01 kg - with foot<br>1,87 kg - with clamp   |

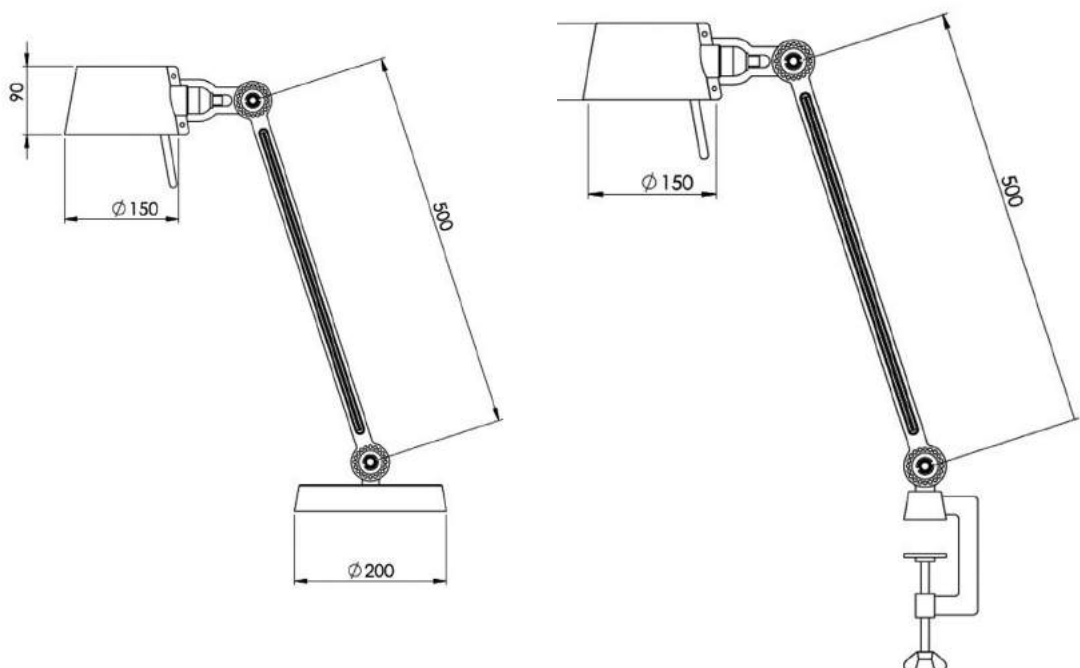
### TECH. SPECIFICATIONS

|                   |              |
|-------------------|--------------|
| <b>INPUT</b>      | 200-240 V    |
| <b>MAX. WATT</b>  | Max. 60 Watt |
| <b>LIGHT BULB</b> | E27          |

### POSITIONS

The lamp can be adjusted at all its joints. This gives endless possibilities to the position of the

### DIMENSIONS



### IN THE PACKAGE

- 01** A special wingnut shaped tool to adjust the lamp
- 02** Depending on the model, this lamp comes with a clamp or a foot

### GOOD TO KNOW

- |                    |   |
|--------------------|---|
| <b>ENVIRONMENT</b> | Special waste handling may be required please contact your local authorities for more information |
| <b>CLEANING</b>    | Wipe clean with a dry cloth   |
| <b>SAFETY</b>      | Minimum safe distance to illuminated object: 30 cm  |

### COLORS

The Bolt desk lamp is available in 7 colors.

# DESK - SINGLE ARM - SMALL

AVAILABLE IN 2 MODELS



## BOLT DESK LAMP - SINGLE ARM - SMALL - WITH FOOT



## BOLT DESK LAMP - SINGLE ARM - SMALL - WITH CLAMP

# DESK - SINGLE ARM - SMALL

## INFORMATION

### GENERAL INFORMATION

|                     |   |
|---------------------|---|
| <b>DESIGN BY</b>    | Anton de Groof, 2013  |
| <b>MATERIALS</b>    | Steel & aluminium   |
| <b>PRODUCT</b>      | 5. Bolt desk lamp - single arm - small- with foot<br>6. Bolt desk lamp - single arm - small- with clamp           |
| <b>DESCRIPTION</b>  | Desk lamp in coated steel, shade in coated aluminium. Lamp head and lamp arm are adjustable with special wingnut. |
| <b>TOTAL WEIGHT</b> | 7,80 kg - with foot<br>1,85 kg - with clamp   |

### TECH. SPECIFICATIONS

|                   |              |
|-------------------|--------------|
| <b>INPUT</b>      | 200-240 V    |
| <b>MAX. WATT</b>  | Max. 60 Watt |
| <b>LIGHT BULB</b> | E27          |

### IN THE PACKAGE

- 01** A special wingnut shaped tool to adjust the lamp
- 02** Depending on the model, this lamp comes with a clamp or a foot

### GOOD TO KNOW

|                    |   |
|--------------------|---|
| <b>ENVIRONMENT</b> | Special waste handling may be required please contact your local authorities for more information |
| <b>CLEANING</b>    | Wipe clean with a dry cloth   |
| <b>SAFETY</b>      | Minimum safe distance to illuminated object: 30 cm  |

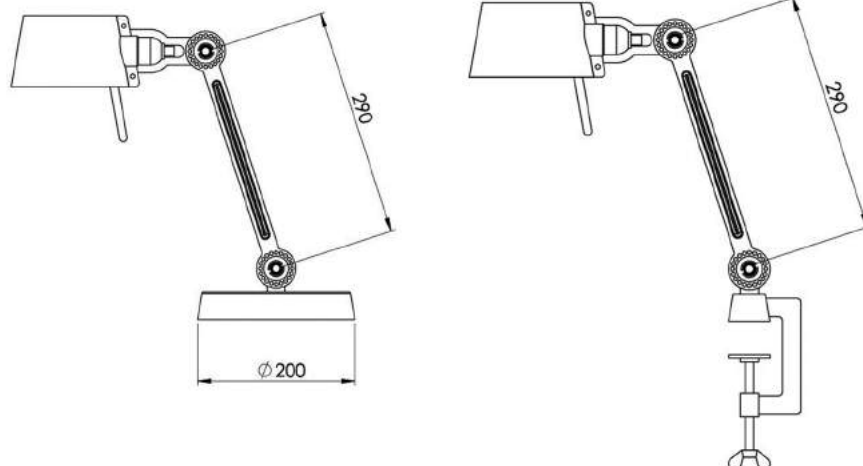
### POSITIONS

The lamp can be adjusted at all its joints. This gives endless possibilities to the position of the lamp.

### COLORS

The Bolt desk lamp is available in 7 colors.

### DIMENSIONS



# TABLE

AVAILABLE IN 2 MODELS



BOLT TABLE LAMP - REGULAR



BOLT TABLE LAMP - SMALL

# TABLE

## INFORMATION

### GENERAL INFORMATION

|                     |  |
|---------------------|--|
| <b>DESIGN BY</b>    | Anton de Groof, 2013   |
| <b>MATERIALS</b>    | Steel & aluminium  |
| <b>PRODUCT</b>      | 7. Bolt table lamp - standard<br>8. Bolt table lamp - small  |
| <b>DESCRIPTION</b>  | Table lamp in coated steel, shade in coated aluminium. Lamp head and lamp arm are adjustable with special wingnut. |
| <b>TOTAL WEIGHT</b> | 8,06 kg - standard<br>7,46 kg - small  |

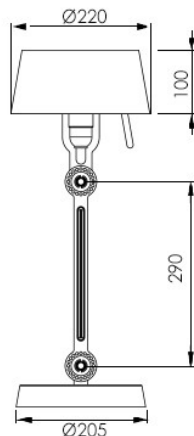
### TECH. SPECIFICATIONS

|                   |              |
|-------------------|--------------|
| <b>INPUT</b>      | 200-240 V    |
| <b>MAX. WATT</b>  | Max. 60 Watt |
| <b>LIGHT BULB</b> | E27          |

### POSITIONS

The lamp can be adjusted at all its joints. This gives endless possibilities to the position of the lamp.

### DIMENSIONS



### IN THE PACKAGE

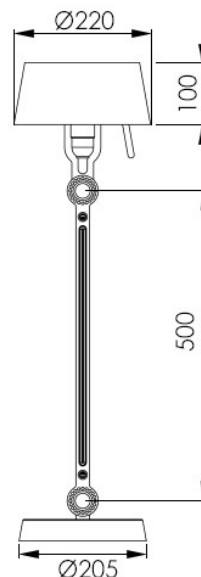
- 01** A special wingnut shaped tool to adjust the lamp

### GOOD TO KNOW

- ENVIRONMENT** Special waste handling may be required please contact your local authorities for more information
- CLEANING** Wipe clean with a dry cloth
- SAFETY** Minimum safe distance to illuminated object: 30 cm

### COLORS

The Bolt table lamp is available in 7 colors.





# FLOOR

AVAILABLE IN 2 MODELS



BOLT FLOOR LAMP - DOUBLE ARM



BOLT FLOOR LAMP - SINGLE ARM

# FLOOR

## INFORMATION

### GENERAL INFORMATION

|                     |  |
|---------------------|--|
| <b>DESIGN BY</b>    | Anton de Groof, 2013   |
| <b>MATERIALS</b>    | Steel & aluminium  |
| <b>PRODUCT</b>      | 9. Bolt floor lamp - double arm<br>10. Bolt floor lamp - single arm  |
| <b>DESCRIPTION</b>  | Floor lamp in coated steel, shade in coated aluminium. Lamp head and lamp arm are adjustable with special wingnut. |
| <b>TOTAL WEIGHT</b> | 7,46 kg - double arm<br>7,07 kg - single arm   |

### IN THE PACKAGE

- 01 A special wingnut shaped tool to adjust the lamp

### TECH. SPECIFICATIONS

|                   |              |
|-------------------|--------------|
| <b>INPUT</b>      | 200-240 V    |
| <b>MAX. WATT</b>  | Max. 60 Watt |
| <b>LIGHT BULB</b> | E27          |

### GOOD TO KNOW

- ENVIRONMENT** Special waste handling may be required please contact your local authorities for more information
- CLEANING** Wipe clean with a dry cloth
- SAFETY** Minimum safe distance to illuminated object: 30 cm

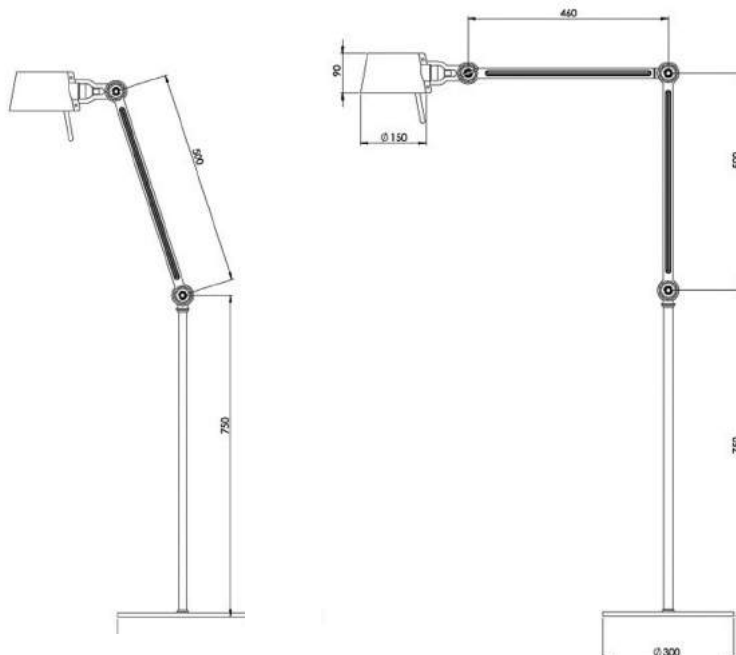
### POSITIONS

The lamp can be adjusted at all its joints. This gives endless possibilities to the position of the lamp.

### COLORS

The Bolt lamp is available in 7 colors.

### DIMENSIONS



# WALL

AVAILABLE IN 4 MODELS



BOLT WALL LAMP - SIDE FIT



BOLT WALL LAMP - SIDE FIT - SMALL



BOLT WALL LAMP - SIDE FIT - MINI



BOLT WALL LAMP - UNDER FIT

# WALL

---

## INFORMATION

---

### GENERAL INFORMATION

|                     |  |
|---------------------|--|
| <b>DESIGN BY</b>    | Anton de Groof, 2013   |
| <b>MATERIALS</b>    | Steel & aluminium  |
| <b>PRODUCT</b>      | 11. Bolt wall lamp - side fit<br>12. Bolt wall lamp - side fit - small<br>13. Bolt wall lamp - side fit - mini<br>14. Bolt wall lamp - under fit |
| <b>DESCRIPTION</b>  | Wall lamp in coated steel, shade in coated aluminium. Lamp head and lamp arm are adjustable with special wingnut.                                |
| <b>TOTAL WEIGHT</b> | approx. 2,00 kg  |

### TECH. SPECIFICATIONS

|                   |              |
|-------------------|--------------|
| <b>INPUT</b>      | 200-240 V    |
| <b>MAX. WATT</b>  | Max. 60 Watt |
| <b>LIGHT BULB</b> | E27          |

### POSITIONS

The lamp can be adjusted at all its joints. This gives endless possibilities to the position of the lamp.

### IN THE PACKAGE

- 01 A special wingnut shaped tool to adjust the lamp
- 02 A wall plate for assembly on the wall

### GOOD TO KNOW

|                    |   |
|--------------------|---|
| <b>ENVIRONMENT</b> | Special waste handling may be required please contact your local authorities for more information |
| <b>CLEANING</b>    | Wipe clean with a dry cloth   |
| <b>SAFETY</b>      | Minimum safe distance to illuminated object: 30 cm  |

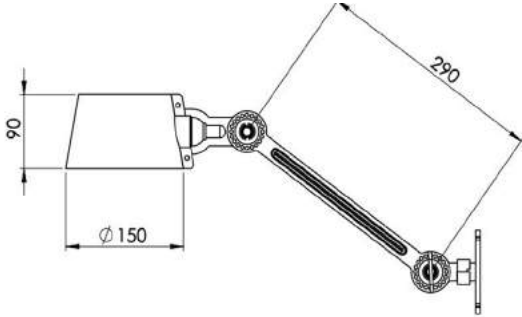
### COLORS

The Bolt lamp is available in 7 colors.

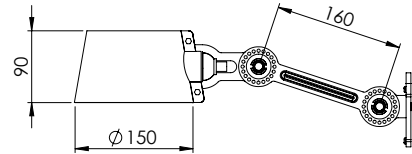
# WALL

## INFORMATION

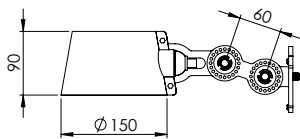
### DIMENSIONS



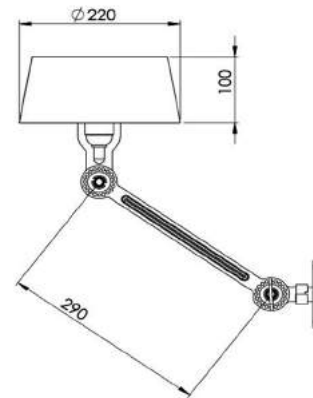
Bolt wall lamp - side fit



Bolt wall lamp - side fit - small



Bolt wall lamp - side fit - mini

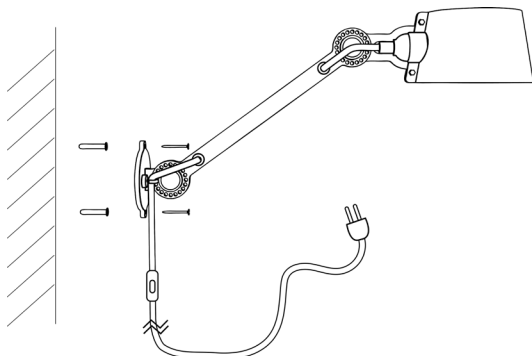


Bolt wall lamp - under fit

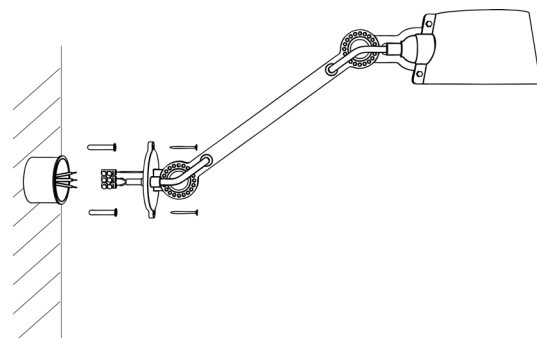
### INSTALLATION

All Wall lamps can be delivered for 2 types of installation:

1. Installation on the wall; lamp comes with a power cord with a switch and a plug.



2. Installation on junction box in the wall; the lamp can be switched on with the light switch on the wall in your (living) room.



# BED

AVAILABLE IN 2 MODELS



BOLT BED LAMP - UNDER FIT



BOLT BED LAMP - SIDE FIT

# BED

---

## INFORMATION

---

### GENERAL INFORMATION

|                     |  |
|---------------------|--|
| <b>DESIGN BY</b>    | Anton de Groof, 2013   |
| <b>MATERIALS</b>    | Steel & aluminium  |
| <b>PRODUCT</b>      | 13. Bolt bed lamp - side fit<br>14. Bolt bed lamp - under fit  |
| <b>DESCRIPTION</b>  | Bed lamp in coated steel, shade in coated aluminium. Lamp head and lamp arm are adjustable with special wingnut. |
| <b>TOTAL WEIGHT</b> | 1,05 kg - side fit<br>1,04 kg - under fit  |

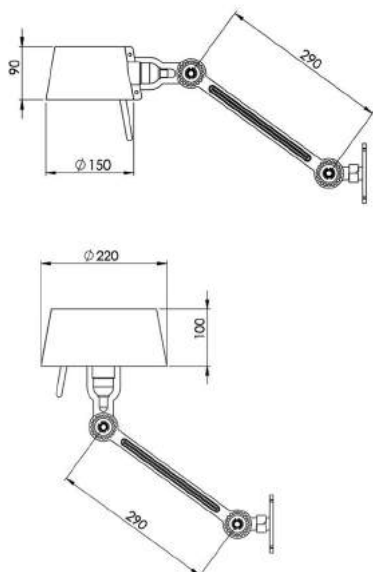
### TECH. SPECIFICATIONS

|                   |              |
|-------------------|--------------|
| <b>INPUT</b>      | 200-240 V    |
| <b>MAX. WATT</b>  | Max. 60 Watt |
| <b>LIGHT BULB</b> | E27          |

### POSITIONS

The lamp can be adjusted at all its joints. This gives endless possibilities to the position of the lamp.

### DIMENSIONS



### IN THE PACKAGE

- 01** A special wingnut shaped tool to adjust the lamp
- 02** A wall plate for assembly on the wall

### GOOD TO KNOW

- |                    |   |
|--------------------|---|
| <b>ENVIRONMENT</b> | Special waste handling may be required please contact your local authorities for more information |
| <b>CLEANING</b>    | Wipe clean with a dry cloth   |
| <b>SAFETY</b>      | Minimum safe distance to illuminated object: 30 cm  |

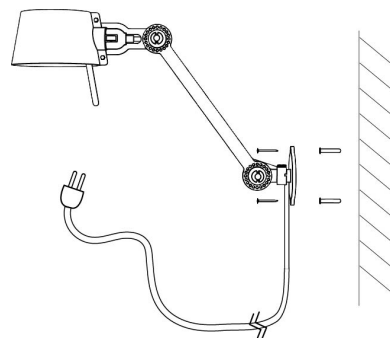
### COLORS

The Bolt lamp is available in 7 colors.

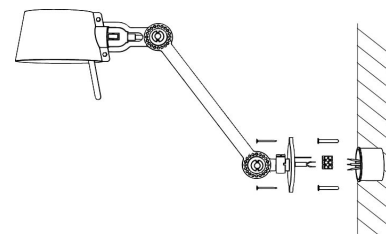
### INSTALLATION

The Bed lamp can be delivered for 2 types of installation:

1. Installation on the wall; lamp comes with a power cord with a plug. The light switch is on the lamp socket.



2. Installation on junction box in the wall; the lamp can be switched on with the light switch on the lamp socket.





# CEILING - DOUBLE ARM

AVAILABLE IN 2 MODELS



BOLT CEILING LAMP DOUBLE ARM- SIDE FIT



BOLT CEILING LAMP DOUBLE ARM - UNDER FIT

# CEILING - DOUBLE ARM

## INFORMATION

### GENERAL INFORMATION

**DESIGN BY** Anton de Groof, 2016  
**MATERIALS** Steel & aluminium  
**PRODUCT** 15. Bolt ceiling lamp double arm - side fit  
16. Bolt ceiling lamp double arm - under fit

**DESCRIPTION** Wall lamp in coated steel, shade in coated aluminium. Lamp head and lamp arm are adjustable with special wingnut.

**TOTAL WEIGHT** 2 kg - side fit  
2 kg - under fit

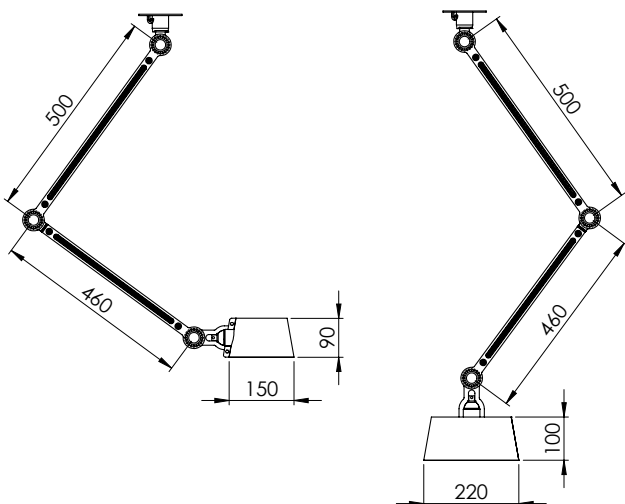
### TECH. SPECIFICATIONS

**INPUT** 200-240 V  
**MAX. WATT** Max. 60 Watt  
**LIGHT BULB** E27

### POSITIONS

The lamp can be adjusted at all its joints. This gives endless possibilities to the position of the lamp.

### DIMENSIONS



### IN THE PACKAGE

- 01 A special wingnut shaped tool to adjust the lamp
- 02 A ceiling unit for assembly on the ceiling (rotating)

### GOOD TO KNOW

**ENVIRONMENT** Special waste handling may be required please contact your local authorities for more information

**CLEANING** Wipe clean with a dry cloth

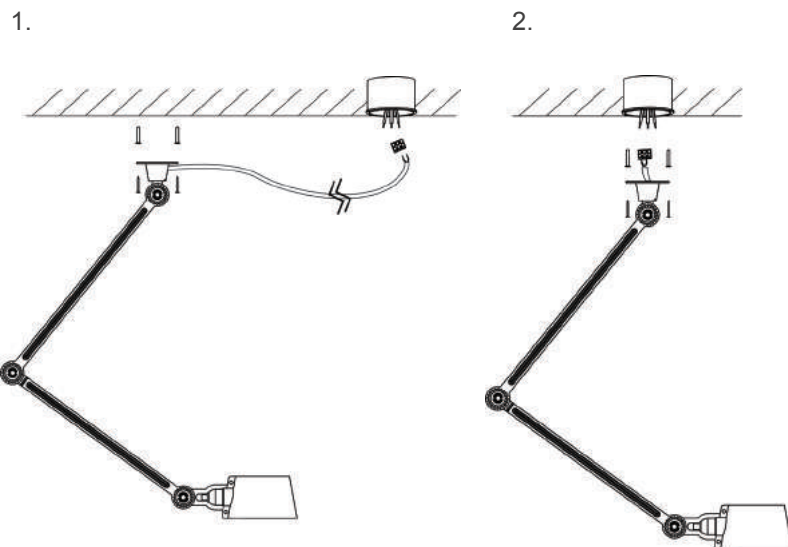
**SAFETY** Minimum safe distance to illuminated object: 30 cm

### COLORS

The Bolt lamp is available in 7 colors.

### INSTALLATION

The Ceiling lamp will be delivered with a ceiling plate and 2m wire. It can be installed on the ceiling (1) or directly on a junction box in the ceiling (2):



# CEILING - SINGLE ARM

AVAILABLE IN 2 MODELS



BOLT CEILING LAMP SINGLE ARM - SIDE FIT



BOLT CEILING LAMP SINGLE ARM - UNDER FIT

# CEILING - SINGLE ARM

## INFORMATION

### GENERAL INFORMATION

**DESIGN BY** Anton de Groof, 2016  
**MATERIALS** Steel & aluminium  
**PRODUCT** 17. Bolt ceiling lamp single arm - side fit  
18. Bolt ceiling lamp single arm - under fit

**DESCRIPTION** Wall lamp in coated steel, shade in coated aluminium. Lamp head and lamp arm are adjustable with special wingnut.

**TOTAL WEIGHT** 2 kg - side fit  
2 kg - under fit

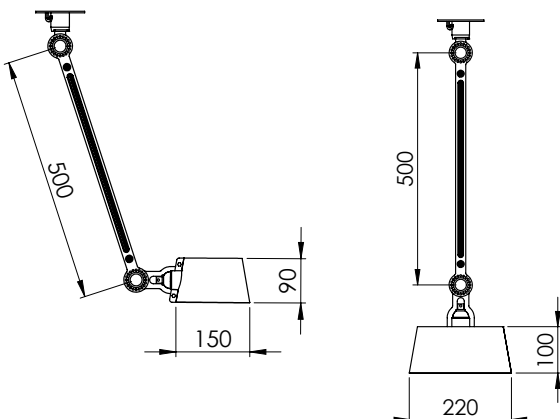
### TECH. SPECIFICATIONS

**INPUT** 200-240 V  
**MAX. WATT** Max. 60 Watt  
**LIGHT BULB** E27

### POSITIONS

The lamp can be adjusted at all its joints. This gives endless possibilities to the position of the lamp.

### DIMENSIONS



### IN THE PACKAGE

- 01 A special wingnut shaped tool to adjust the lamp
- 02 A ceiling unit for assembly on the ceiling (rotating)

### GOOD TO KNOW

**ENVIRONMENT** Special waste handling may be required please contact your local authorities for more information

**CLEANING** Wipe clean with a dry cloth

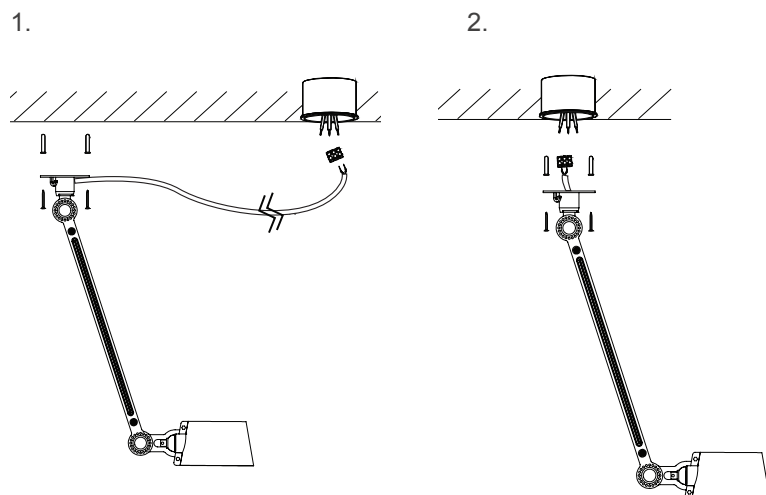
**SAFETY** Minimum safe distance to illuminated object: 30 cm

### COLORS

The Bolt lamp is available in 7 colors.

### INSTALLATION

The Ceiling lamp will be delivered with a ceiling plate and 2m wire. It can be installed on the ceiling (1) or directly on a junction box in the ceiling (2):



# CHANDELIER

AVAILABLE IN 2 MODELS



## BOLT CHANDELIER

# CHANDELIER

## INFORMATION

### GENERAL INFORMATION

|                     |  |
|---------------------|--|
| <b>DESIGN BY</b>    | Anton de Groof, 2013   |
| <b>MATERIALS</b>    | Steel & aluminium  |
| <b>PRODUCT</b>      | Chandelier - 6 arms  |
| <b>DESCRIPTION</b>  | Chandelier in coated steel, shade in coated aluminium. Lamp head and height are adjustable with special wingnut. |
| <b>TOTAL WEIGHT</b> | 9,79 kg - 6 arms   |

### IN THE PACKAGE

- 01 A special wingnut shaped tool to adjust the lamp

### TECH. SPECIFICATIONS

|                   |              |
|-------------------|--------------|
| <b>INPUT</b>      | 200-240 V    |
| <b>MAX. WATT</b>  | Max. 60 Watt |
| <b>LIGHT BULB</b> | E27          |

### GOOD TO KNOW

- ENVIRONMENT** Special waste handling may be required please contact your local authorities for more information
- CLEANING** Wipe clean with a dry cloth
- SAFETY** Minimum safe distance to illuminated object: 30 cm

### POSITIONS

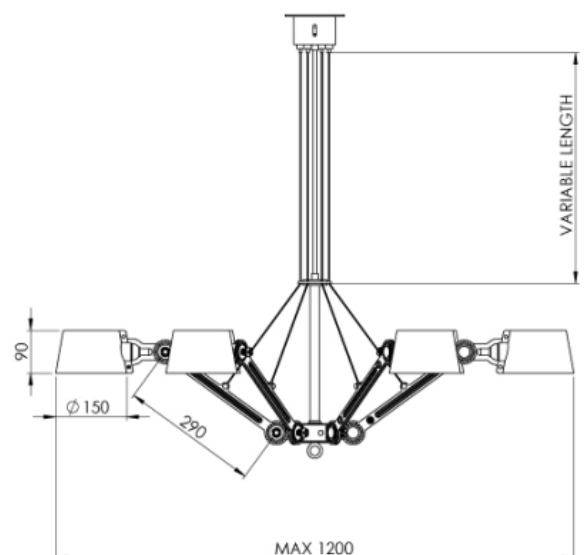
The lamp can be adjusted at all its joints. This gives endless possibilities to the position of the lamp.



### COLORS

The Bolt chandelier is available in 7 colors.

### DIMENSIONS



# PENDANT

AVAILABLE IN 4 MODELS



6,8,10 OR 12-PACK PENDANT  
ALSO AVAILABLE IN 7 DIFFERENT COLORS

# PENDANT

## INFORMATION

### GENERAL INFORMATION

|                     |   |
|---------------------|---|
| <b>DESIGN BY</b>    | Anton de Groof, 2013  |
| <b>MATERIALS</b>    | Steel & aluminium   |
| <b>PRODUCT</b>      | 16. 6, 8, 10 or 12 pack pendant   |
| <b>DESCRIPTION</b>  | Pack pendant in coated steel, shade in coated aluminium. Lamp head and lamp arms are adjustable with special wingnut. |
| <b>TOTAL WEIGHT</b> | 8,7 kg - 6 pack<br>11,3 kg - 8 pack<br>13,9 kg - 10 pack<br>16,4 kg - 12 pack   |

### TECH. SPECIFICATIONS

|                   |              |
|-------------------|--------------|
| <b>INPUT</b>      | 200-240 V    |
| <b>MAX. WATT</b>  | Max. 60 Watt |
| <b>LIGHT BULB</b> | E27          |

### IN THE PACKAGE

- 01** A special wingnut shaped tool to adjust the lamp

### GOOD TO KNOW

- ENVIRONMENT** Special waste handling may be required please contact your local authorities for more information
- CLEANING** Wipe clean with a dry cloth
- SAFETY** Minimum safe distance to illuminated object: 30 cm

### POSITIONS

The lamp can be adjusted at all its joints. This gives endless possibilities to the position of the lamp.

### COLORS

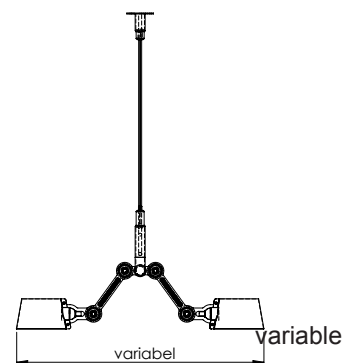
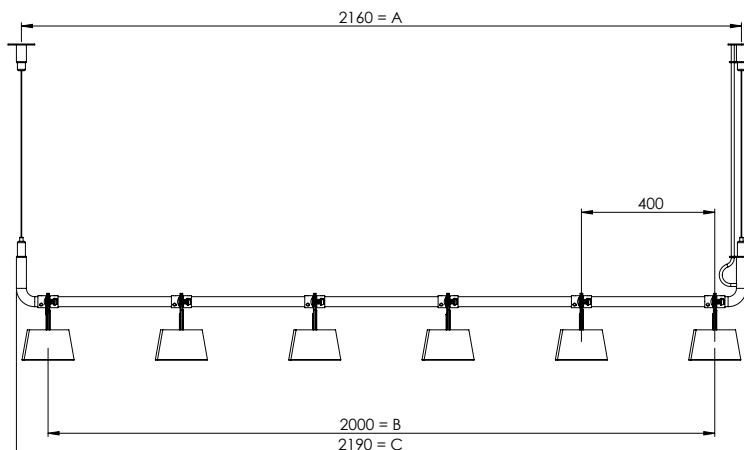
The Bolt pendant lamp is available in 7 colors.

### DIMENSIONS

10 - pack:  
A= 1760  
B=1600  
C= 1790

8 - pack:  
A= 1360  
B=1200  
C= 1390

6 - pack:  
A= 960  
B=800  
C= 990













Mr.TUBES | ANTON DE GROOF

**TONONE**



## **Mr.TUBES**

Mr. Tubes is a sturdy lamp design that combines pure functionality with graphical aesthetics. The black-coated steel construction holds two Philips 30W/827 fluorescent tubes and gives the lamp an industrial look; a straightforward design suitable for various locations. The lamp is dimmable and the adjustable steel cables make it possible to hang the lamp at any height.

# Mr.TUBES

Horizontal



# Mr.TUBES

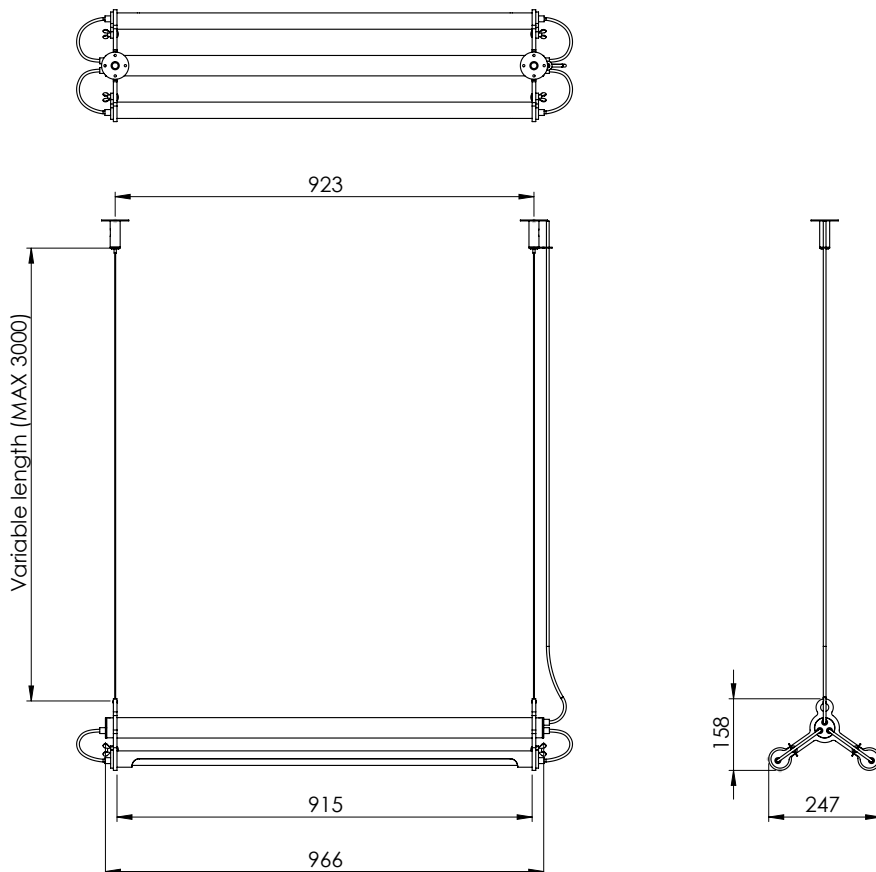
Horizontal

## TECHNICAL SPECIFICATIONS

|              |                                     |
|--------------|-------------------------------------|
| COLOR        | Black                               |
| LIGHT SOURCE | 2X Philips 30W/827 fluorescent tube |
| WATT         | 2X 30W                              |
| VOLT         | 220V- 240V                          |

The frame is made of black coated steel.

## DIMENSIONS



# Mr.TUBES

Vertical



# Mr.TUBES

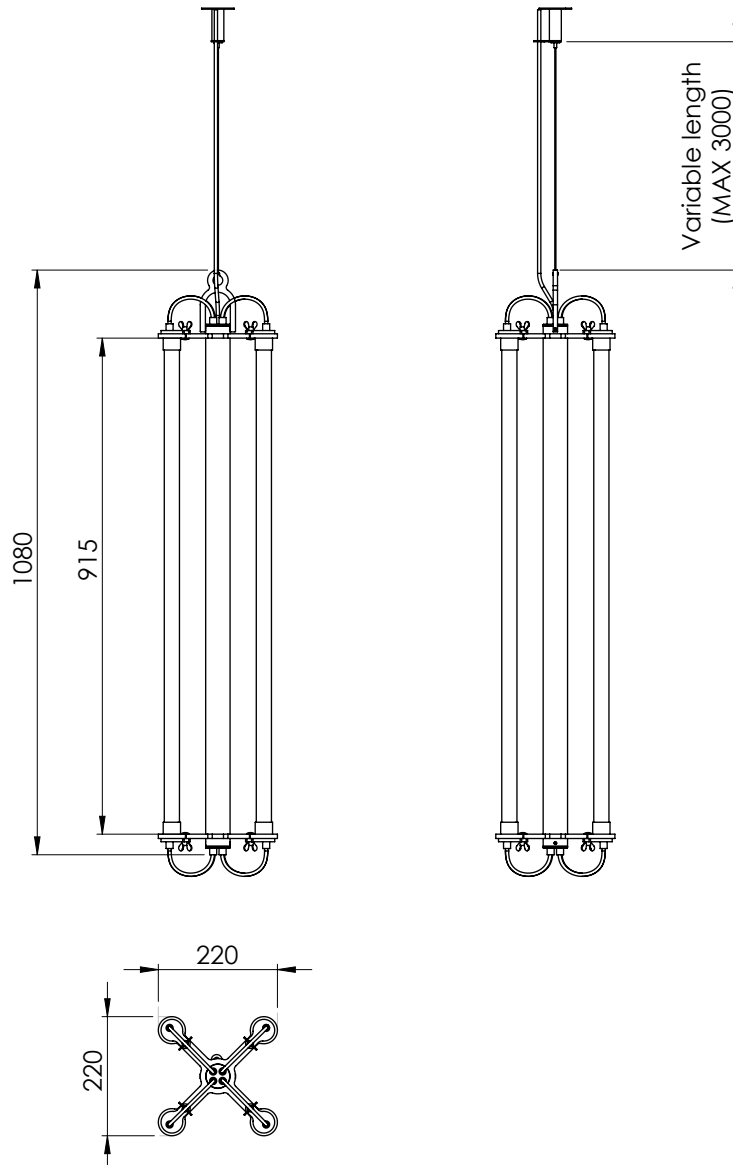
Vertical

## TECHNICAL SPECIFICATIONS

|              |                                     |
|--------------|-------------------------------------|
| COLOR        | Black                               |
| LIGHT SOURCE | 4X Philips 30W/827 fluorescent tube |
| WATT         | 2X 30W                              |
| VOLT         | 220V- 240V                          |

The frame is made of black coated steel.

## DIMENSIONS





# Mr.TUBES

Tapered



# Mr.TUBES

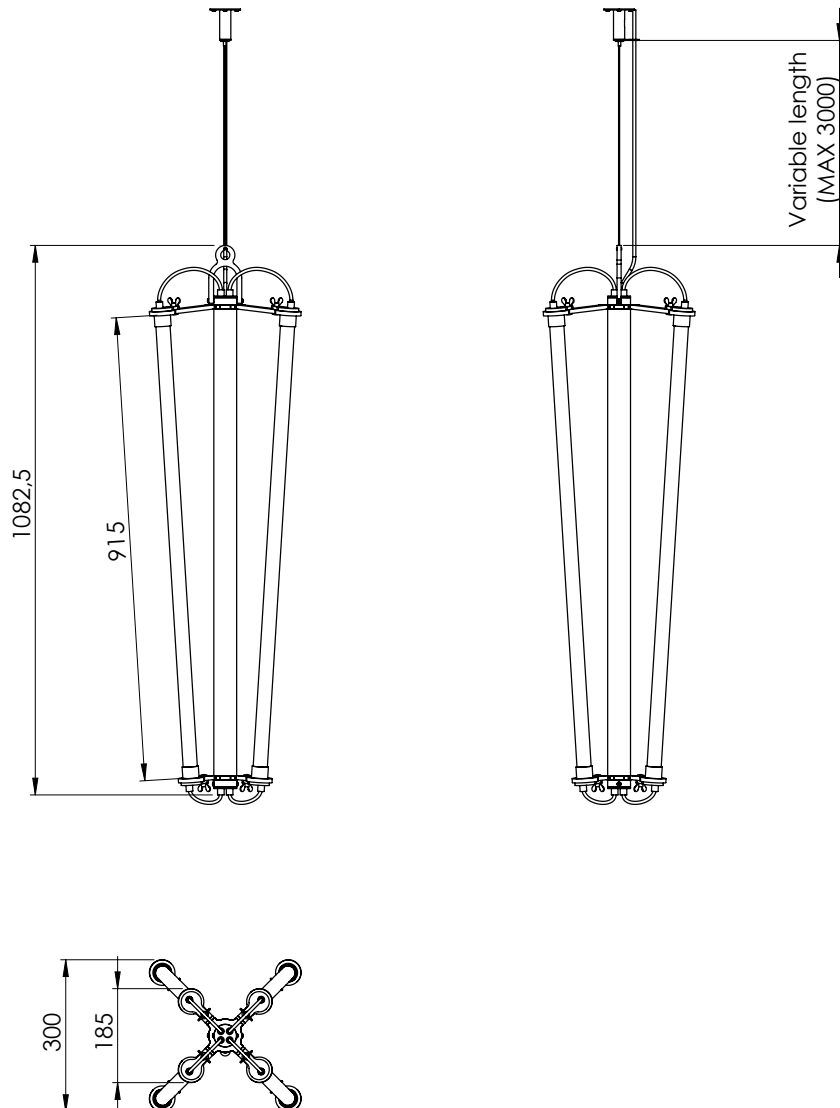
Tapered

## TECHNICAL SPECIFICATIONS

|              |                                     |
|--------------|-------------------------------------|
| COLOR        | Black                               |
| LIGHT SOURCE | 2X Philips 30W/827 fluorescent tube |
| WATT         | 2X 30W                              |
| VOLT         | 220V- 240V                          |

The frame is made of black coated steel.

## DIMENSIONS





ATLAS | ANTON DE GROOF

**TONONE**



## ATLAS

The combination of a brass hinge mechanism with a transparent hand-blown glass shade creates a constructive lamp with a poetic character. The lamp is designed with a construction that can be folded in and out. When folded inwards, the glass shade can easily be placed around it; when unfolding the hinge mechanism, the glass shade will rest on the construction and stays in position.

## GENERAL INFORMATION

Design by Anton de Groof, 2015

A hand-blown glass shade held by an ingenious brass hinge mechanism.  
Atlas comes in various sizes and colors.

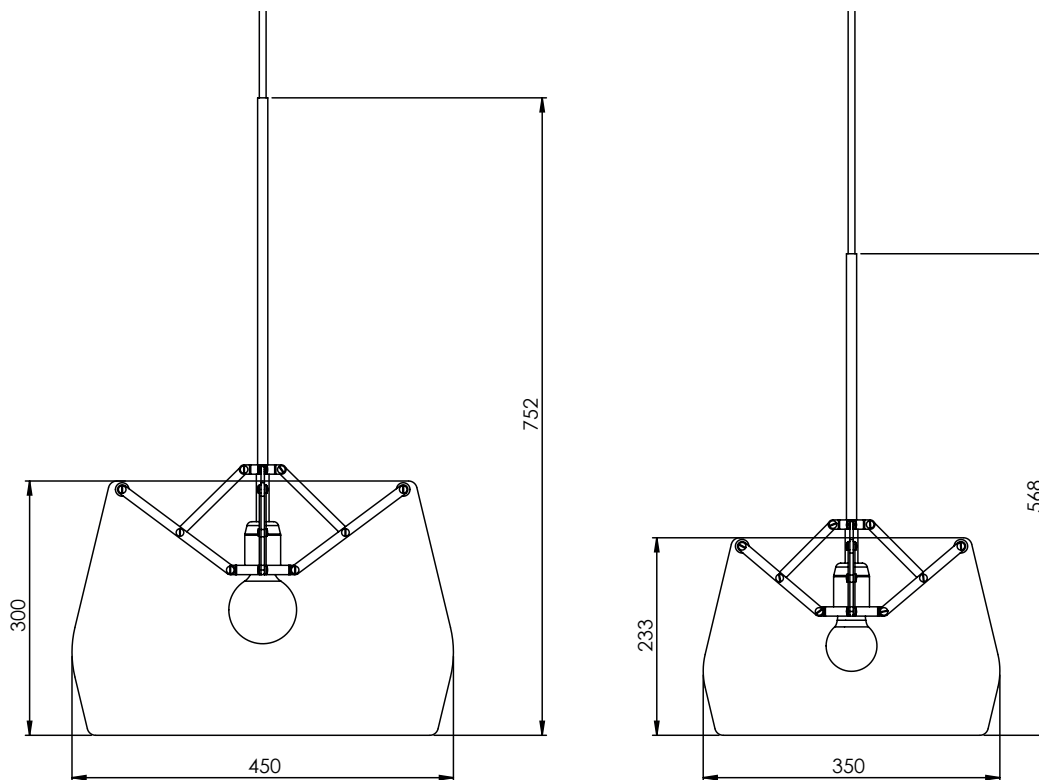
## COLORS

Glass colors                      Transparent, Neutral grey, Tourmaline green

## TECHNICAL SPECIFICATIONS

|            |              |
|------------|--------------|
| Input      | 200-240 V    |
| Watt       | max. 60 Watt |
| Light Bulb | E27          |

## DIMENSIONS





ELLA | ANTON DE GROOF

# TONONE



## ELLA

Lamp Ella exists of a hand-blown glass shade which is supported by a sturdy steel tripod stand. This combination underlines its strong, graphic yet elegant and light character. Both the transparent and the grey shade provide a soft glow, and work harmoniously with the black or white stand colors and brass details.



## GENERAL INFORMATION

Design by Anton de Groof, 2016

The tripod stand is made of powdercoated steel and holds a hand-blown glass shade.

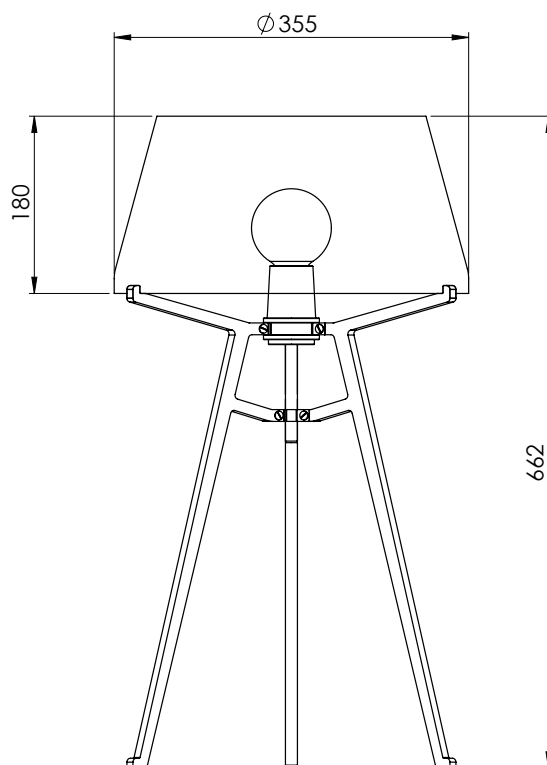
## COLORS

|              |                             |
|--------------|-----------------------------|
| Stand colors | black or white              |
| Glass colors | Transparent or Neutral grey |

## TECHNICAL SPECIFICATIONS

|            |              |
|------------|--------------|
| Input      | 200-240 V    |
| Watt       | max. 60 Watt |
| Light Bulb | E27          |

## DIMENSIONS

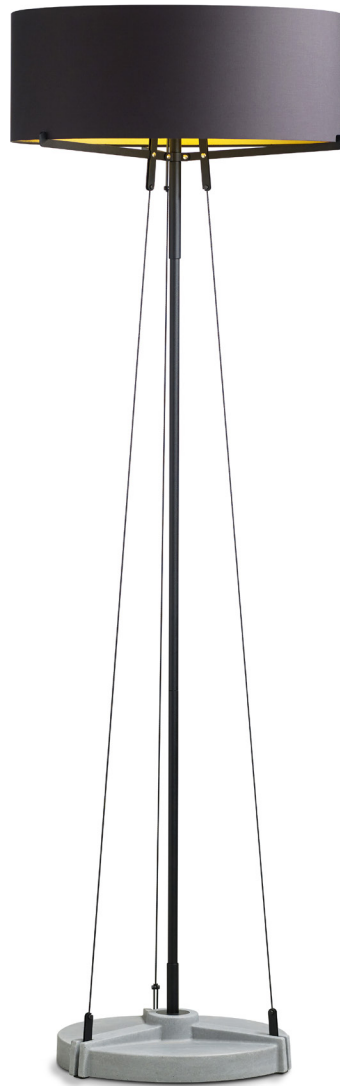






ORBIT | ANTON DE GROOF

**TONONE**



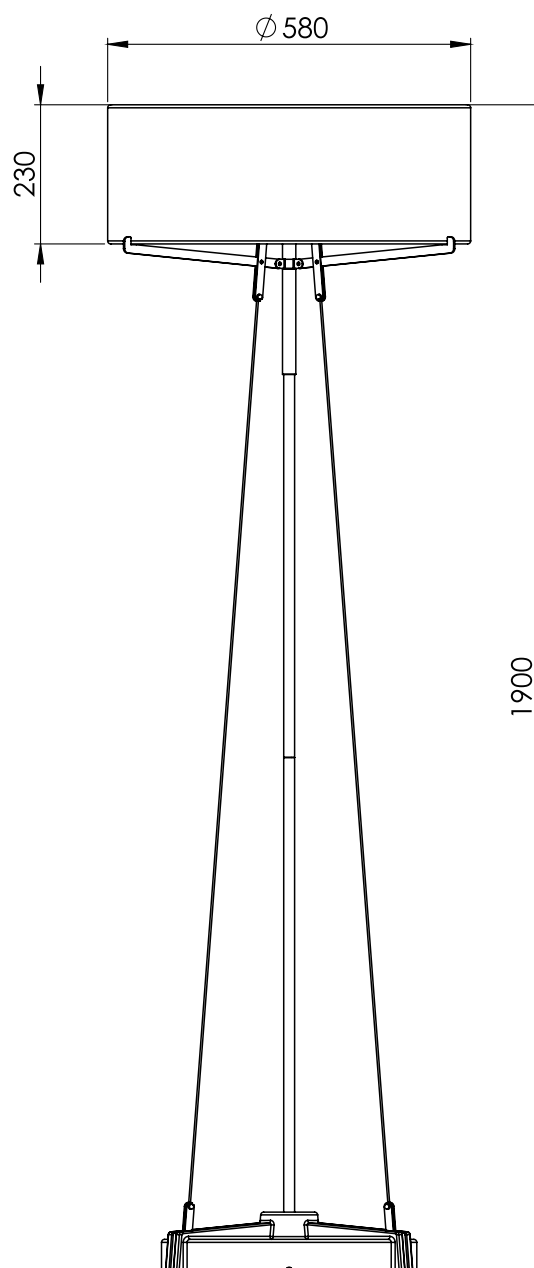
## **ORBIT**

For its products Tonone often finds inspiration in old or existing mechanical techniques. For the creation of lamp Orbit the design team looked at the techniques used in the sailing world. Just like a sailboat's rigging that hold the mast in place, lamp Orbit stands firmly because it is supported by three lines with stays. In this way a large floor lamp is created, but without a massive appearance. The self-designed LED light source, the shade inspired by navigating by the stars, and the fact that the lamp is shippable in a compact box, makes Orbit an elegant, unique and clever design.

## TECHNICAL SPECIFICATIONS

|            |                  |
|------------|------------------|
| Input      | 200-240 V        |
| Watt       | max. 60 Watt     |
| Light Bulb | 24V Dimmable LED |

## DIMENSIONS



## **FOR PROJECTS**

If you are interested to use the  
Tonone products for projects,  
contact us and we will make you a  
customised proposal

## **CONTACT TONONE**

TONONE  
Veemarktkade 8 - 6117  
5222 AE Den Bosch  
The Netherlands  
+31(0)85 782 13 33

**TONONE.COM**